



Desert Marksman Rifle and Pistol Club

December 2009

Club Officer Elections Next Month

**Elections will be held at our General Membership Meeting,
January 19th at 7:30 p.m. Ballot enclosed in this issue.**

Don't miss your chance to be involved in the future of the club. Come out, run for a position or at least vote.

The elections will be held at the January General Membership Meeting. The results will be announced at that meeting. You can vote by mail or e-mail if you are unable to attend the meeting.

Duties of the Officers

President. The President shall preside at all meetings of the club and of the Executive Committee. The President shall be a member ex-officio of all regular and special committees, and shall perform all such duties as usually pertain to the office.

Vice-President. The Vice-President shall perform the duties of the President in the President's absence or at the President's request.

Secretary. The Secretary shall conduct all official correspondence pertaining to the proper preparation and forwarding of all reports required of the club by the National Rifle Association and by the Director of Civilian Marksmanship. The Secretary shall be responsible for making all arrangements required for preparing and counting ballots in club elections. The Secretary shall notify the members of the Executive Committee of all meetings and shall notify all members of special and annual meetings, as required in Article V.

The Secretary shall keep a true record of all meetings of the Executive Committee and of the club, and have the custody of the books and papers of the club, except the Treasurer's book of account. All applications for membership in the club shall be made to the Secretary. The Secretary shall be responsible for the collection of all fees and dues and shall remit the same to the Treasurer, taking his proper receipt therefor. The Secretary shall be responsible for reaffiliating the club annually with the National Rifle Association.

Treasurer. The Treasurer shall have charge of all funds of the club and place the same in such bank or banks as may be approved by the Executive Committee.

Desert Marksman Officers

John Harville,
President
jharvill@mac.com

Dale Landan,
Vice President
dplandan@rglobal.net

Jackie Landan,
Secretary, Range
Safety/Security Officer
mapcaligirl@rglobal.net

Wayne Raimer,
Treasurer
wraimer@sbcglobal.net

Carol Harville, Membership
bcountry_47@yahoo.com

Joe Pizzo, Newsletter Editor
joe.pizzo@earthlink.net

Shooting Discipline Leaders

Dave Ozment, Black Powder
661.722.6087

Dennis Clark, Bullseye Pistol
reslhad5@verizon.net

Micheal Bassoni,
Cowboy Action
661.948.2543

Richard Besocke,
High Power Rifle
rbesocke@ix.netcom.com

Gary Royce, Practical Pistol
gary@roycecompanies.com

Al Solis, Defensive Pistol
alsolis@opsecpro.com

Justin Hudock, Tactical Rifle
justinpbudock@yahoo.com

Don Cook, Urban Tactical
donc2go@aol.com

Brad Khan, Long Range Rifle
alpine767@hotmail.com

Scott Baker,
Smallbore Rifle
(661) 266-1425

**To receive future DMRPC Newsletters by email
please email joe.pizzo@earthlink.net.**

**This will save DMRPC valuable funds
in postage.**

Match and Discipline Review

Not Every Discipline Shoots Every Month

Cowboy Action

Third Sunday

Cowboy action shooting is a rifle, pistol, and shotgun match with an old west theme. Competitors are challenged by varying stationary and reactive targets, or stages, requiring various combinations of firearms.

The variety in which you can present the stages of a match keep this sport fresh.

Desert Marksmen is affiliated with the Single Action Shooting Society (SASS) and SASS RULES apply.

The Cowboy Action Shooting Group is registered as the membership in SASS in NOT a requirement BUT there is a minimum type of firearms that are required to compete. Knowledge of SASS rules and an understanding of spirit of the game is helpful in competing with other Match Members.

Bullseye Pistol

Forth Sunday

NRA Sanctioned Pistol League Classification: Current NRA Rules govern. These are individual matches. Each class will require a minimum of five (5) competitors. Short classes will be moved to the next higher class.

Course of Fire; National Match: 10 shots slow-fire; 10 shots timed-fire; 10 shots rapid-fire. Slow fire: 20 shots, two 10 shot strings at 50 yards. Timed fire: 20 shots, four 5 shot strings at 25 yards. Rapid fire: 20 shots, four 5 shot strings at 25 yards.

Time Limits: 1 minute per shot slow-fire, 20 seconds per 5 shot string timed-fire, 10 seconds per 5 shot string rapid-fire.

Matches Open to the FIRST 12 Competitors Only.

Small Bore Rifle

Second Sunday

Small bore rifle is good experience for all beginners, and a good way to hone shooting skills for the advanced shooter.

For those that don't have a .22 rifle, match rifles for adults and youth rifles for juniors can be reserved in advance with the Discipline Leader, first come-first-served.

Match Fees:
Under 12 is : Free
Ages 13 to 17: \$2.00/\$3.00
Age 18 and over: \$5.00

Urban Tactical

Second Sunday

Information to come.

Defensive Pistol

Third Saturday

Information to come.

High Power Rifle

Third Saturday

Members and visitors can take part in this historical competition.

Tactical Rifle

Forth Saturday

This group discipline parallels Practical Pistol utilizing tactical/field exercises and scenarios to explore defensive use of the rifle, including use of firearm under adverse conditions, eg., opposite-handed use. Events are held once a month year-round.

Long Range Rifle

Fifth Sunday

1,000 Yard 'FUN SHOOTs' & 'TROPHY MATCHs' are held every 5th Sunday. Check the Schedule Page for the dates and times of the monthly matches.

2010 Desert Marksman Ballot

Ballot must have DMRPC Member Number or Name.

If mailing: place ballot in blank sealed envelope and then in mailing envelope.
Mail to PO Box 1124, Lancaster, CA 93584-1124

If e-mailing: send to mapcaligirl@rglobal.net.

Name _____ DM Member # _____

President Gary Royce

Vice President John Hudock Dale Landan

Secretary Jackie Landan

Treasurer Wayne Ramier

Practical Pistol

Second Saturday

The Practical Pistol program relies strongly on the principles and practices of the modern pistol craft as set forth by Lt. Col. Jeff Cooper, former director of API/Gunsite.

Classification: Any defensive or offensive field situation involving use of a handgun. Pistols: Both semi-autos and revolvers are suitable for use in the field situations. Targets: scored-paper or steel reactive. Distances may be from point-blank to 59 yards or more, and the events help the shooter "expand the envelope" of his/hers defensive pistol expertise, including the use of cover, performing under adverse conditions, etc.

Black Powder

First Sunday

The Black Powder Muzzle Loaders Group is made up of men, women and juniors who enjoy shooting firearms loaded with either black powder or black powder substitute. These include rifles that fire cap & ball or flint & ball, as well as pistols, trade guns (smooth bore) and shotguns which are replicas of those used in the 1800's.

Classification: Current NMLRA Rules govern. These are individual matches.

12-Monthly 40 round Silhouette Matches for Conventional Rifle.

For Your Eyes Only (Classified Ads)

For Sale: Winchester 70 Action (was made in 1971)
Stock: Standard wood Palmer adjustable butt pad
Barrel: Standard Palmer taper (308 Caliber)
Rear Sight: Red field international match
Sight base #2
Front sight: globe level front sight
Barrel band sight base
Data book included
The Rifle was built by Butch Hyland
Price: \$900.00 or trade
Please reply to stan_cleaves@hotmail.com

For Sale: Bulk powder, Alliant 2400-\$25 lb, Hercules H-110-\$25 lb, must furnish container
dplandan@rglobal.net, 661-944-6417

Wanted: Brass and reloading components, ammo for .338 Win Mag + Dillon 550 press Toolheads and Powder Measures. Also looking to buy Pelican or SKB Cases in good condition.
Please contact Paul at (661) 317-4445 or email paulandtammy@verizon.net

To place information or ads in the newsletter contact Joe Pizzo by email at joe.pizzo@earthlink.net or call 661.644.6160

DMRPC RIFLE RAFFLE

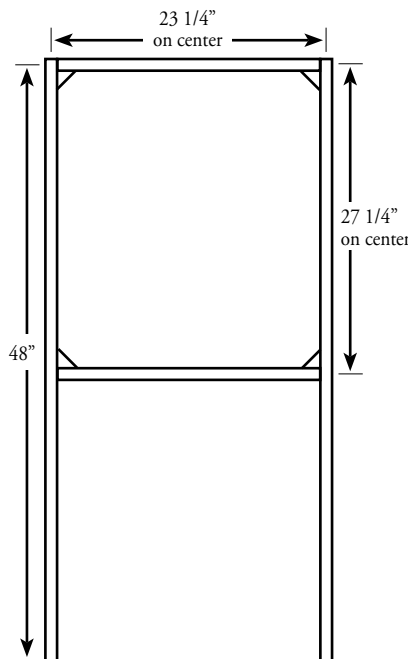
Only \$20 per chance

Any rifle, any caliber! Rifle valued at \$850.

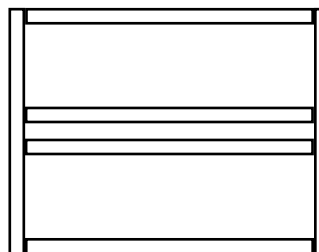
Get Your Tickets at the
General Membership Meeting,
Tuesday, January, 19th

Also available at the gate
on weekends.

Build Your Own Target Stand



The following plans are for a target holder that will fit in most of the target bases at our range. All lumber is 2" x 2". The gusseting in the corners can be made from any piece of scrap wood. Staple heavy cardboard to the rectangular frame, then staple your target to the cardboard.



These are a base to support the target holder shown above. All lumber for the base is 2" x 4". It is critical the width match the target stand and hold the target stand tight. There is sometimes a little breeze at the range, so a couple sand bags are recommended.



DMRPC
P0 Box 1124
Lancaster, CA 93584-1124

PRSRT STD
U.S. Postage
PAID
Lancaster, CA
Permit No 163

**2010 CLUB
OFFICER BALLOT
ENCLOSED**

Desert Marksman Rifle & Pistol Club Range Schedule *December 2009 – February 2010*

Dec. 5, Sat.	All Ranges Open	Jan. 2, Sat.	All Ranges Open	Feb. 6, Sat.	All Ranges Open
Dec. 6, Sun.	Black Powder Main Range Open	Jan. 3, Sun.	Black Powder Main Range Open	Feb. 7, Sun.	Black Powder Main Range Open
Dec. 12, Sat.	Practical Pistol Main Range Open	Jan. 9, Sat.	Practical Pistol Main Range Open	Feb. 13, Sat.	Practical Pistol Main Range Open
Dec. 13, Sun.	Urban Pistol Main Range Open	Jan. 10, Sun.	Urban Pistol Main Range Open	Feb. 14, Sun.	Urban Pistol Main Range Open
Dec. 15, Tue.	General Member Meeting	Jan. 16, Sat.	Defensive Pistol Main Range Open	Feb. 17, Tue.	General Member Meeting
Dec. 19, Sat.	Defensive Pistol Main Range Open	Jan. 17, Sun.	Cowboy Action Main Range Closed	Feb. 20, Sat.	Defensive Pistol Main Range Open
Dec. 20, Sun.	Cowboy Action Main Range Closed	Jan. 19, Tue.	General Member Meeting	Feb. 21, Sun.	Cowboy Action Main Range Closed
Dec. 26, Sat.	Tactical Rifle Main Range Closed	Jan. 23, Sat.	Tactical Rifle Main Range Closed	Feb. 27, Sat.	Tactical Rifle Main Range Closed
Dec. 27, Sun.	All Ranges Open	Jan. 24, Sun.	All Ranges Open	Feb. 28, Sun.	All Ranges Open
		Jan. 31, Sun.	1000 Yard All Ranges Closed		