



Desert Marksman Rifle and Pistol Club

January 2010

THE OLD MAN! (Contributed by a member)

As I came out of the supermarket that sunny day, pushing my cart of groceries towards my car, I saw an old man with the hood of his car up and a lady sitting inside the car, with the door open.

The old man was looking at the engine. I put my groceries away in my car and continued to watch the old gentleman from about twenty five feet away.

I saw a young man in his early twenties with a grocery bag in his arm, walking towards the old man. The old gentleman saw him coming too and took a few steps towards him.

I saw the old gentleman point to his open hood and say something. The young man put his grocery bag into what looked like a brand new Cadillac Escalade and then turn back to the old man and I heard him yell at the old gentleman saying,

'You shouldn't even be allowed to drive a car at your age.' And then with a wave of his hand, he got in his car and peeled rubber out of the parking lot.

I saw the old gentleman pull out his handkerchief and mop his brow as he went back to his car and again looked at the engine.

He then went to his wife and spoke with her and appeared

to tell her it would be okay. I had seen enough and I approached the old man. He saw me coming and stood straight and as I got near him I said, 'Looks like you're having a problem..'

He smiled sheepishly and quietly nodded his head. I looked under the hood myself and knew that whatever the problem was, it was beyond me. Looking around I saw a gas station up the road and told the old man that I would be right back... I drove to the station and went inside and saw three attendants working on cars. I approached one of them and related the problem the old man had with his car and offered to pay them if they could follow me back down and help him.

The old man had pushed the heavy car under the shade of a tree and appeared to be comforting his wife. When he saw us he straightened up and thanked me for my help. As the mechanics diagnosed the problem (overheated engine) I spoke with the old gentleman.

When I shook hands with him earlier, he had noticed my Marine Corps ring and had commented about it, telling me that he had been a Marine too. I nodded and asked the usual question, 'What outfit did you serve with?'

He had mentioned that he served with the first Marine Division at Tarawa, Saipan, Iwo Jima and Guadalcanal.

He had hit all the big ones and retired from the Corps after the war was over. As we talked we heard the car engine come on and saw the mechanics lower the hood. They came over to us as the old man reached for his wallet, but was stopped by me and I told him I would just put the bill on my AAA card. He still reached for the wallet and handed me a card that I assumed had his name and address on it and I stuck it in my pocket.. We all shook hands all around again and I said my goodbyes to his wife.

I then told the two mechanics that I would follow them back up to the station. Once at the station I told them that they had interrupted their own jobs to come along with me and help the old man. I said I wanted to pay for the help, but they refused to charge me.

One of them pulled out a card from his pocket looking exactly like the card the old man had given to me. Both of the men told me then, that they were Marine Corps Reserves. Once again we shook hands all around and as I was leaving, one of them told me I should look at the

Continued on back page

Desert Marksman Officers

John Harville,
President
jharvill@mac.com

Dale Landan,
Vice President
dplandan@rglobal.net

Jackie Landan,
Secretary, Range
Safety/Security Officer
mapcaligirl@rglobal.net

Wayne Raimer,
Treasurer
wraimer@sbcglobal.net

Carol Harville, Membership
bcountry_47@yahoo.com

Joe Pizzo, Newsletter Editor
joe.pizzo@earthlink.net

Shooting Discipline Leaders

Dave Ozment, Black Powder
661.722.6087

Dennis Clark, Bullseye Pistol
reslhad5@verizon.net

Micheal Bassoni,
Cowboy Action
661.948.2543

Richard Besocke,
High Power Rifle
rbesocke@ix.netcom.com

Gary Royce, Practical Pistol
gary@roycecompanies.com

Al Solis, Defensive Pistol
alsolis@opsecpro.com

Justin Hudock, Tactical Rifle
justinpbudock@yahoo.com

Don Cook, Urban Tactical
donc2go@aol.com

Brad Khan, Long Range Rifle
alpine767@hotmail.com

Scott Baker,
Smallbore Rifle
(661) 266-1425

Match and Discipline Review

Not Every Discipline Shoots Every Month

Cowboy Action

Third Sunday

Information to come.

Bullseye Pistol

Forth Sunday

Information to come..

Small Bore Rifle

Second Sunday

Information to come.

Urban Tactical

Second Sunday

Information to come.

Defensive Pistol

Third Saturday

Information to come.

High Power Rifle

Third Saturday

Information to come.

Tactical Rifle

Forth Saturday

Information to come.

Long Range Rifle

Fifth Sunday

Information to come.

Practical Pistol

Second Saturday

SCTC Match Results from Saturday 12-12-09

Hi All: We had 6 guys brave the cold and wet weather to shoot the Practical Pistol Match on Sat. Dec. 12, 2009. Because of the rain off an on

that day, the match was shot all on steel. First we did the Stages 3-6 of the Mexican Defense Modified. We used Steel Droppers that represent the Vital Zone of a Silhouette Target. There were 6 Targets and they were spread four feet apart and there were two shooting lines. One at 8 meters and one at 10 meters. Stage 2 was one shot on each target from the 10 meter line. Stage 3 was one shot while moving from the 10 meter line to the 8 meter line.



The Time limit for all stages was 5 seconds. Shooting started at low ready to eliminate any advantage from speed holsters. Stage 4 was done by shooting at target one until hit while moving from left to right along the 10 meter line moving 8 meters to the right before the 5 second whistle blew. Any overtime shot was a one hit penalty. Not making it across the right eight meter line was a one hit penalty. Stage 6 was starting at the left of the 10 meter line the shooter had to move along that line to the right while taking one shot on each target and making it to the right side of the range in 5 seconds. Shooting on the move is very challenging.

Our targets were much smaller than the designated targets for this match, which made it even harder. The designated targets are the Colt Police targets which are very large. Our droppers are only a fraction of the size and very hard to hit while you are moving, which made for a very challenging 4 stages.

Next we did two stages we called "The Drag" The shooter stood 5 yards from two droppers and the stage manager dragged the shooter from right to left about 10 feet across in front of the two droppers. When the stage manager started dragging the shooter he could draw and try to hit the droppers. It turned out to be more challenging than it would at first appear.

We next ran 3 stages of the "McDonalds Lobby" match and used droppers instead of the standard cardboard silhouettes. The set up was 6 targets lined up in one line like people in line at McDonalds. The First target in the line up was face on to the shooter at 10 yards behind that target #2 was a no shoot face on to the shooter behind that target was target #3 facing 45 degrees to the right behind that target was another no shoot target #4 behind that was a shoot target #5 which as facing 45 degrees to the left behind that was another no shoot target #6. The procedure was to run to the right far enough to hit the target #3 a shoot target without hitting any of the no shoot targets then run to the left past the center line



far enough to get a clear shot at target number 5 and hit it without hitting any no shoot targets, to end the run and stop the clock, the shooter had to run back to the center line and shoot the first target in line without hitting any no shoot targets. The score was the time it took to hit all of the shoot targets without hitting any no shoot targets. Ten seconds was added to the time for any no shoot target hit. We had one shooter that hit every no shoot target and missed all the shoot targets. I had never seen that happen before, and the penalties ruined his score.

All the stages were ranked and the results were as follow: 1st. Bill rank (3). 2nd. Larry rank (8) 3rd. Rich rank (9). 4th. Gary rank (10). 5th. Jay rank (13). 6th John rank (15). Good Luck Good Shooting & I'll see you at the next match. Bill Out.

Black Powder

First Sunday

Information to come.

A New Reloading Store is Open

Located at the Angeles Shooting Range (Osborne exit just north of Hwy 210) www.reloadingsstore.com/

Angeles Reloading Store, 12651 Little Tujunga Canyon Lake View Terrace, CA 91342 800-499-4486/818-899-2255. Fax 818-899-0103

Open Wednesday Noon to 8pm and Thursday-Saturdays from 11am-5pm
Closed Mon/Tues.

www.reloadingsstore.com/
FYI, this place is small but really has a lot of stuff, the online site does not show much!

Great selection of dies, shell holders, etc. They sell Dillon Presses and scales (but not other accessories).

Three vaults w/ powder, so it's hit and miss on type and number you want, but good chance they do have at least one type you can use.

Decent selection of other components including brass, bullets, primers and reloading books too.

Lots of plastic storage boxes and other misc types items...
Worth the drive down there.

For Your Eyes Only (Classified Ads)

Wanted: A high quality revolver (six shooter) that fires 45 long colt ammo.

Wanted: Bullet lead

Wanted: Pistol primers, large
Please Reply to Dick at 818.884.7477 or e-mail to dlordahl@aol.com

For Sale: Winchester 70 Action (was made in 1971)

Stock: Standard wood Palmer adjustable butt pad

Barrel: Standard Palmer taper (308 Caliber)

Rear Sight: Red field international match
Sight base #2

Front sight: globe level front sight

Barrel band sight base
Data book included

The Rifle was build by Butch Hyland

Price: \$900.00 or trade

Please reply to stan_cleaves@hotmail.com

For Sale: Bulk powder, Alliant 2400-\$25 lb, Hercules H-110-\$25 lb, must furnish container dplandan@rglobal.net, 661-944-6417

Wanted: Brass and reloading components, ammo for .338 Win Mag + Dillon 550 press Toolheads and Powder Measures. Also looking to buy Pelican or SKB Cases in good condition.
Please contact Paul at (661) 317-4445 or e-mail paulandtammy@verizon.net

To place information or ads in the newsletter contact Joe Pizzo by e-mail at joe.pizzo@earthlink.net or call 661.644.6160

DMRPC RIFLE RAFFLE

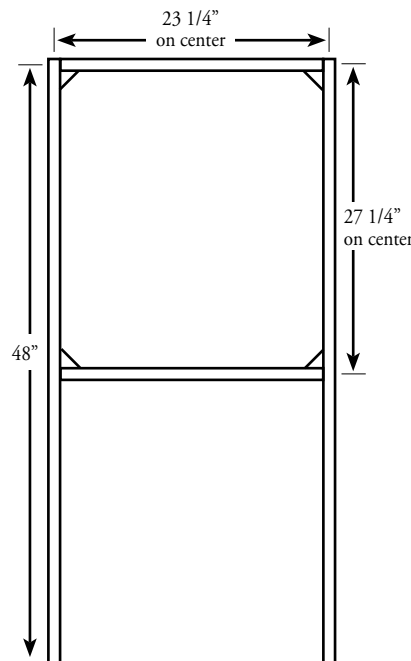
Only \$20 per chance

Any rifle, any caliber! Rifle valued at \$850.

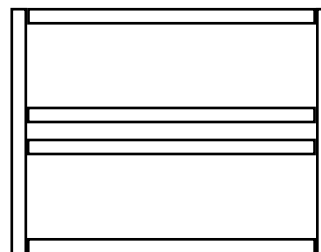
Get Your Tickets at the
General Membership Meeting,
Tuesday, February, 16th

Also available at the gate
on weekends.

Build Your Own Target Stand



The following plans are for a target holder that will fit in most of the target bases at our range. All lumber is 2" x 2". The gusseting in the corners can be made from any piece of scrap wood. Staple heavy cardboard to the rectangular frame, then staple your target to the cardboard.



These are a base to support the target holder shown above. All lumber for the base is 2" x 4". It is critical the width match the target stand and hold the target stand tight. There is sometimes a little breeze at the range, so a couple sand bags are recommended.

Continued from page 1.

card the old man had given to me.. I said I would and drove off.

For some reason I had gone about two blocks when I pulled over and took the card out of my pocket and looked at it for a long, long time The name of the old gentleman was on the card in golden leaf and under his name..... 'Congressional Medal of Honor Society.'

I sat there motionless looking at the card and reading it over and over. I looked up from the card and smiled to no one but myself and marveled that

on this day, four Marines had all come together, because one of us needed help. He was an old man all right, but it felt good to have stood next to greatness and courage and an honor to have been in his presence. Remember, OLD men like him gave you FREEDOM for America .

Thanks to those who served and those who supported them.

America is not at war. The U.S. Military is at war. America is at the Mall. If you don't stand behind our troops, PLEASE feel free to stand in front of them!

Remember, Freedom isn't Free, thousands have paid the price so you can enjoy what you have today.

LET'S DO THIS JUST 19 WORDS

GOD OUR FATHER,
WALK THROUGH MY
HOUSE AND TAKE AWAY
ALL MY WORRIES; AND
PLEASE WATCH OVER
AND HEAL MY FAMILY
IN JESUS ' NAME. AND
PLEASE PROTECT OUR
FREEDOMS AND WATCH
OVER OUR TROOPS
WHO ARE DEFENDING
THOSE FREEDOMS.

AMEN

DMRPC Gate Code

It is very important you do not share our gate code with other people. We have little control over non-members behavior. During the Fall Work Party we removed tires, appliances and other trash. We hope this was dumped by non-members. The only way non-members get in is if some gives them the code. Help keep our range clean and safe. PLEASE, KEEP YOUR CODE PRIVATE!

**To receive future DMRPC Newsletters by e-mail
please e-mail joe.pizzo@earthlink.net.
This will save DMRPC valuable funds in postage.**

Desert Marksman Rifle & Pistol Club Range Schedule

January 2010 – March 2010

Jan. 2, Sat.	All Ranges Open	Feb. 6, Sat.	All Ranges Open	Mar. 6, Sat.	All Ranges Open
Jan. 3, Sun.	Black Powder Main Range Open	Feb. 7, Sun.	Black Powder Main Range Open	Mar. 7, Sun.	Black Powder Main Range Open
Jan. 9, Sat.	Practical Pistol Main Range Open	Feb. 13, Sat.	Practical Pistol Main Range Open	Mar. 13, Sat.	Practical Pistol Main Range Open
Jan. 10, Sun.	Urban Pistol Main Range Open	Feb. 14, Sun.	Urban Pistol Main Range Open	Mar. 14, Sun.	Urban Pistol Main Range Open
Jan. 16, Sat.	Defensive Pistol Main Range Open	Feb. 16, Tue.	General Member Meeting	Mar. 15–21	Rendezvous All Ranges Closed
Jan. 17, Sun.	Cowboy Action Main Range Closed	Feb. 20, Sat.	Defensive Pistol Main Range Open	Mar. 16, Tue.	General Member Meeting
Jan. 19, Tue.	General Member Meeting	Feb. 21, Sun.	Cowboy Action Main Range Closed	Mar. 27, Sat.	Tactical Rifle Main Range Closed
Jan. 23, Sat.	Tactical Rifle Main Range Closed	Feb. 27, Sat.	Tactical Rifle Main Range Closed	Mar. 28, Sun.	All Ranges Open
Jan. 24, Sun.	All Ranges Open	Feb. 28, Sun.	All Ranges Open		
Jan. 31, Sun.	1000 Yard All Ranges Closed				