



Desert Marksman Rifle and Pistol Club

June 2010

Latest Forest Service News

Desert Marksman's Executive Committee has been working with the Angeles National Forest to ensure the club has a future in our location. The Excom created a new SOP (Standard Operating Procedure) document for the club. Most of the information in the document already were available in our handbook and in the club

bylaws. The Forest Service requested we create an all inclusive document to fulfill all their requirements. This was sent to them at the end of May, the ball is now in their court and we are hopeful we will get a five year extension on our permit.

As a club we must all obey our rules as well as the rules of the Angeles National Forest. These

are all common sense item but please review your handbook so we can be sure to take care of our range and the forest. Please pack out all your trash, don't leave junk on the range, tires are junk by the way. We will have more information at our Tuesday, June 15th Club Meeting.

To keep our club strong and informed you should attend these meetings.

Desert Marksman Officers

Gary Royce, President
pres.DMRPC@gmail.com
Dale Landan,
Vice President
dplandan@rglobal.net
Jackie Landan,
Secretary
mapcaligirl@rglobal.net
Wayne Raimer,
Treasurer
wraimer@sbcglobal.net
Dave Jenkins,
Range Safety Officer
661.992.4182
Carol Harville, Membership
bcountry_47@yahoo.com
Joe Pizzo, Newsletter Editor
joe.pizzo@earthlink.net

Unsafe Behavior

There have been reports of unsafe behavior at the range. If you are not comfortable talking to others about their behavior we totally understand. If you are not able to get a member number try get a vehicle make, model and license plate number. Call or email the information

to one of the Club officer listed in the gray bar. If you feel threatened, do not put yourself in danger, leave the range and contact law enforcement and club officers. Hopefully these are not members and they will not return.

Membership Dues

June is our year end, your membership renewal is due. The gate code will change July 1st, don't wait, renew today. There is a renewal for on the last

page of this newsletter. You can also pay your dues at Tuesday's, June 15th General Member Meeting.

Trash

Please keep in mind DMRPC has no trash pick up. The Executive Committee has discussed adding trash service to the range. The main concern is some members may not be responsible in the use of the trash service. At this time all members must remove their trash from the range. One big problem is plastic bottles, people are bring in bottles full of liquid then leaving the empties on the range. The next time we will be having a Fall Work Party in October. Please pick up your trash.

Shooting Discipline Leaders

Dave Ozment, Black Powder
661.722.6087
Dennis Clark, Bullseye Pistol
reslhad5@verizon.net
Micheal Bassoni,
Cowboy Action
661.948.2543
Richard Besocke,
High Power Rifle
rbesocke@att.net
Tommy Valentin,
Practical Pistol
818.825.0982
Al Solis, Defensive Pistol
alsolis@opsecpro.com
Justin Hudock, Tactical Rifle
justinpbudock@yahoo.com
Don Cook, Urban Tactical
donc2go@aol.com
Brad Khan, Long Range Rifle
alpine767@hotmail.com
Scott Baker, Smallbore Rifle
(661) 266-1425

Match and Discipline Review

Not Every Discipline Shoots Every Month

Black Powder

First Sunday

Information to come.

Practical Pistol

Second Saturday

Information to come.

Small Bore Rifle

Second Sunday

Information to come.

Urban Tactical

Second Sunday

Urban Tactics discipline is the idea of surviving real world encounters in self-defense scenarios.

Participants in Urban Tactics events should use practical handguns and holsters that are suitable for self-defense or professional use. The use of duty gear is recommended for armed professionals.

Urban Tactics will try to teach how to take cover and return incoming fire as needed to survive and win an armed confrontation in an urban environment.

Scheduling will normally be every 2nd Sunday of the month, on the Tactical Pistol range, 0700 to 1200Hrs.

Defensive Pistol

Third Saturday

Information to come.

High Power Rifle

Third Saturday

The 2010 DMRPC High Power Rifle League schedule is as follows:

Saturday, June 19, 2010
Garand Match

Saturday, July 17, 2010
300 yard practice

Saturday, August 21, 2010
600 yard practice

Saturday, September 18,
2010 Steak Fry Match

All matches begin at 0800.

Cowboy Action

Third Sunday

Well hey howdy there Buckaroos, this here's yer favorite road apple, Doc Silverhawks with a reportin of the goins on at the High Desert Cowboys monthly match for May 2010. Mother Nature sure showed us her prettiest side with bright sun and mild breezes sprinced with a few clouds, one of which I swear was shaped just like a buffalo. Fourteen shooters turned out for a very nice little Five Stage Match that myself and the nafarius Southworth Kid concocted for everyones enjoyment. I must say that it was nice to see

Wyatt and Josie Emp return to shoot with us after a long hiatus (taken care of Tombstone no doubt). I do believe that I heard the first rumblings of this year's Christmas Party returning to their very own Emptyville Township complete with bunkhouse, Marshals office, and the famous (and infamous) Red Velvet Saloon. I for one hope that these are more than rumors. After the shootin was all done and the dust had settled we set down fer a spell and had a nice little drawing featuring once again, all donated items. One item which yours truly sure wanted but didn't win, was a vintage watch fob with the wax impression seal attached. Perhaps used by a postmaster or telegraph operator. This was an interesting piece. Boy howdy if it could only tell its story. We sir, I reckon that just about covers everythin fer now, so until our trails cross once again, take care and be safe.

Your Pard,
Doc Silverhawks

Tactical Rifle

Forth Saturday

Information to come.

Bullseye Pistol

Forth Sunday

Information to come.

Long Range Rifle

Fifth Sunday

Thanks again to all the shooters, volunteers, and sponsors that make the match a success. The winds really played havoc this time. They were not very strong but variable from east to west

It was a full house with 49 shooters so get your name in early for the next match on Aug 29th.

Special thanks to Sierra Bullets, Randy at R&D precision and to Papa Johns Pizza of the high desert for the prizes donated.

I misplaced some of my notes from the match so I only have the ones who placed Sorry.

Out of 200 pts possible here we go

22-30 Cal.

Butch	192	5x
Mark	191	2x
John	189	6x

Magnum Class

Roy	192	7x
Kevin	192	7x
Joe	191	4x
Rommel	190	7x

50 Cal.

Karen	190	3x
Brent	185	5x

As you can see the Scores were down from the last match the wind can do weird stuff in that canyon. Thanks again See you at the next Match.

Thanks Brad

For Your Eyes Only (Classified Ads)

Wanted: A high quality revolver (six shooter) that fires 45 long colt ammo.

Wanted: Bullet lead

Wanted: Pistol primers, large Please Reply to Dick at 818.884.7477 or e-mail to dlordahl@aol.com

Wanted: Brass and reloading components, ammo for .338 Win Mag + Dillon 550 press Toolheads and Powder Measures. Also looking to buy Pelican or SKB Cases in good condition. Please contact Paul at (661) 317-4445 or e-mail paulandtammy@verizon.net

For Sale: Bulk powder, Alliant 2400-\$25 lb, Hercules H-110-\$25 lb, must furnish container
For Sale: 15 ft. Pyramid with pole needs pegs, has stove hole \$400.00 Please call Dale or e mail dplandan@rglobal.net, 661-944-6417

For Sale: Barrett .416, 32 power Night Force Scope, 100 rounds factory loaded Barrett Ammunition, New Barrel (factory installed by Barrett), \$6,000. Contact Dave Fuller 310-510-2234

For Sale: Reloading components and bullet casting components, call with your wants and I will check my inventory and reply. Contact Butch at tuggar76@att.net, 661-618-0009.

For Sale: New, Unused, Dillon #14404 Carbide Die Set in .45 ACP/GAP. Price: \$61.00 Call Verne at 661-943-6981

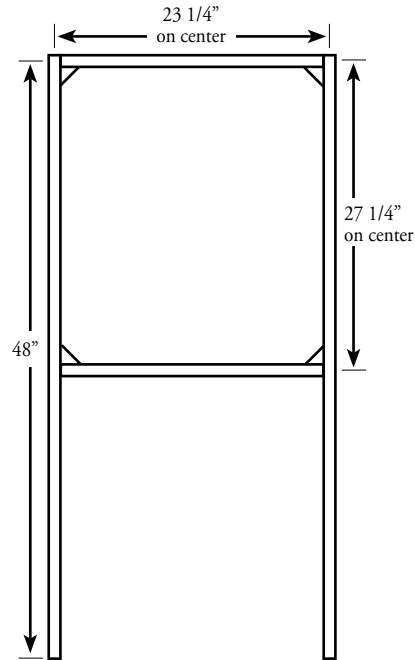
To place information or ads in the newsletter contact Joe Pizzo by e-mail at joe.pizzo@earthlink.net or call 661.644.6160

For Sale: Target stands, 3 pack \$49.00 (about 50% of the internet prices). Designed to be vehicle friendly, Ipsc/idpa target ready, 1x2 s & targets sold separately. Custom sizes available starting at \$99 (3 pack). Email your order to pres.DMRPC@gmail.com

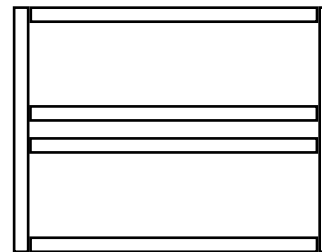


FOUND: Reading glasses, +1.25 large lens gold colored frames. Contact John Setzekorn, 661-733-6957.

Build Your Own Target Stand



The following plans are for a target holder that will fit in most of the target bases at our range. All lumber is 2" x 2". The gusseting in the corners can be made from any piece of scrap wood. Staple heavy cardboard to the rectangular frame, then staple your target to the cardboard.



These are a base to support the target holder shown above. All lumber for the base is 2" x 4". It is critical the width match the target stand and hold the target stand tight. There is sometimes a little breeze at the range, so a couple sand bags are recommended.

DMRPC Gun Raffle

Choice: Pistol or Rifle.

Choice: Caliber and Manufacturer up to \$850.

Cost: \$20 per ticket.

Winner will receive a 10% discount at The Gun Shop in Lancaster or at High Desert Storm Sporting Arms in Palmdale.

For tickets see Dale at the General Membership Meeting or Jackie at the Club gate at all matches.

Drawing will be held at the General Membership Meeting after all tickets are sold. This raffle is Club approved, no Club funds will be used.

**To receive future DMRPC Newsletters
by e-mail please e-mail
joe.pizzo@earthlink.net.**

It's time to renew your DMRPC Membership!

The gate code will change July 1st, please pay at or before the June meeting.

Desert Marksmen Rifle & Pistol Club, Inc. • 2009/2010 Application

Please Mail to: Desert Marksmen Rifle & Pistol Club, Inc. P0 Box 1124; Lancaster, CA. 93584-1124

Name _____ Signature _____ Date _____

Address _____ City _____

State _____ Zip Code _____ Phone _____

Date of Birth ____/____/____ State DL/ID _____ Email _____

I'm an NRA Member I'm an Life NRA Member NRA Number _____ Exp. _____

NRA Membership is Required: Desert Marksmen is an Official NRA Recruiter. If you wish to apply for NRA Membership or to Renew(NRA), you can do so through the Club.

Contributions, gifts or membership dues made or paid to Desert Marksmen Rifle & Pistol Club, Inc. are not refundable* or transferable and are not deductible as charitable contributions for Federal Income Tax purposes.

EQUAL OPPORTUNITY STATEMENT & MISSION: Desert Marksmen is most emphatically an "Equal Opportunity" Club, and our Members and Employees do not discriminate by Segregation, Refusing Membership, Curtailing Participation, or Otherwise against Members, Prospective Members, Family Members, Guests or Visitors on the basis of Race, Religion, Lack of Religion, Color, Creed, National Origin, Age, Disability, Sex, or Sexual Preference.

* NOTE: some exceptions have been made (example: refund or transfer to spouse of deceased member)

Initiation Fee (One Time Only) – \$40.	_____
Annual Dues (July 1st Thru June 30th) – \$60. per year	_____
Pro-Rated Dues (New Members Only) – \$ 5. per month	_____
Range Improvement Fee (Optional) – \$10.	_____
<i>Please Enclose Check in Envelope.</i>	Total \$ _____

Desert Marksman Rifle & Pistol Club Range Schedule

June 2010 – August 2010

June 5, Sat.	All Ranges Open	July 4, Sun.	Black Powder Main Range Open	Aug. 1, Sun.	Black Powder Main Range Open
June 6, Sun.	Black Powder Main Range Open	July 10, Sat.	Practical Pistol Main Range Open	Aug. 7, Sat.	Practical Pistol Main Range Open
June 12, Sat.	Practical Pistol Main Range Open	July 11, Sun.	Urban Pistol Main Range Open	Aug. 8, Sun.	Urban Pistol Main Range Open
June 13, Sun.	Urban Pistol Main Range Open	July 17, Sat.	HPR Garand Match Main Range Closed	Aug. 14, Sat.	HPR Garand Match Main Range Closed
June 15, Tue.	General Member Meeting	July 17, Sat.	Defensive Pistol Main Range Open	Aug. 14, Sat.	Defensive Pistol Main Range Open
June 19, Sat.	HPR Garand Match Main Range Closed	July 18, Sun.	Cowboy Action Main Range Closed	Aug. 15, Sun.	Cowboy Action Main Range Closed
June 19, Sat.	Defensive Pistol Main Range Open	July 20, Tue.	General Member Meeting	Aug. 17, Tue.	General Member Meeting
June 20, Sun.	Cowboy Action Main Range Closed	July 24, Sat.	Tactical Rifle Main Range Closed	Aug. 21, Sat.	Tactical Rifle Main Range Closed
June 25, Sat.	Tactical Rifle Main Range Closed	July 25, Sat.	Bullseye Pistol Pistol House Closed	Aug. 22, Sun.	Bullseye Pistol Pistol House Closed
June 27, Sun.	Bullseye Pistol Pistol House Closed			Aug. 29, Sun.	Long Range Rifle All Ranges Closed

To shoot on any range not in use during a scheduled match you MUST receive approval from the Discipline Leader. Discipline Leaders and Range Safety Officers must be obeyed at all times to avoid club sanctions.