



Desert Marksman Rifle and Pistol Club

July 2010

Firework Before the Fourth

Well, we had a great turnout at our last General Membership Meeting, and I hope in the long run it will be positive. The two main points of discussion was the Forest Service Permit and DMRPC funds. There was a sub-committee formed to assist the Executive Committee on how to best deal with our current issues with the Angeles National Forest. As of right now we have a temporary permit that expires on September 30th of this year. The Club has given the Angeles National Forest everything they have asked for and is waiting for more information

from other private clubs under the USFS umbrella. Hopefully everyone knows the main problem with the permit Angeles National Forest is offering us is a five year, non-renewable permit. The non-renewable is what has us all in a panic. The NRA has suggested we contact our State Senator and the CRPA.

The other issue people were attending the meeting for is financial transparency. Our Treasurer has been recovering from medical issues and it has been difficult to get information. I think this issue will be worked out before our next meeting. The Executive

Committee is as concerned as every other member is with the problems being dealt with. I know personally I love being able to bring a bunch of Boy Scouts to the range, let them sleep under the stars and teach them proper firearm safety and marksmanship. There are not many places left in our state where we can do this. Please come to the next General Membership Meeting, Tuesday, July 20th at 7:30 pm. The Club needs all our members to be informed and ready to stand together in defence of our range.

DM to Start Trash Pickup Service

DMRPC will be starting trash service at the range in the next month. We will have only one dumpster, it will be emptied monthly, so please be responsible. This is for range trash only, please do not bring any trash or yard scraps from home. It's our responsibility to take care of the forest that our range is on. Even though it may

not be a written rule we all need to use common sense in picking our targets. Whatever you shoot at you must pick up and either pack out or place it in the dumpster. We still do not want anyone shooting at junk. Please do not bring tires to the range. We seem to be removing tires every month. So instead of dumping them at the

range why not sneak over to your local tire shop and drop them there. They will be recycle and they will not be an eye sore on the range. I know most members do not dump junk, we appreciate everyone who helps keep the range clean. We should have the dumpster at the range soon.

DMRPC Officers

Gary Royce, President
pres.DMRPC@gmail.com
Dale Landan,
Vice President
dplandan@rglobal.net
Jackie Landan,
Secretary
mapcaligirl@rglobal.net
Wayne Raimer,
Treasurer
wraimer@sbcglobal.net
TBA,
Range Safety Officer
Carol Harville, Membership
bcountry_47@yahoo.com
Joe Pizzo, Newsletter Editor
joe.pizzo@earthlink.net

Discipline Leaders

Dave Ozment, Black Powder
661.722.6087
Dennis Clark, Bullseye Pistol
reslhad5@verizon.net
Micheal Bassoni,
Cowboy Action
661.948.2543
Richard Besocke,
High Power Rifle
rbesocke@att.net
John Hudock,
Practical Pistol
vincenzos@dslextreme.com
Al Solis, Defensive Pistol
alsolis@opsecpro.com
Dave Jenkins, Tactical Rifle
661.992.4182
Don Cook, Urban Tactical
donc2go@aol.com
Brad Khan, Long Range Rifle
alpine767@hotmail.com
Scott Baker, Smallbore Rifle
(661) 266-1425

Robert's Rules of Order Information

A Brief History and How to Make a Motion

Henry Martyn Robert was an engineering officer in the regular Army. Without warning he was asked to preside over a public meeting being held in a church in his community and realized that he did not know how. He tried anyway and his embarrassment was supreme. This event, which may seem familiar to many readers, left him determined never to attend another meeting until he knew something of parliamentary law. Ultimately, he discovered and studied the few books then available on the subject. From

time to time, due to his military duties, he was transferred to various parts of the United States where he found virtual parliamentary anarchy since each member from a different part of the country had differing ideas of correct procedure. To bring order out of chaos he decided to write Robert's Rules of Order as it came to be called (See chart of editions below).

The tenth, current, edition has been brought about through a process of keeping the book up to date with the growth of parliamentary procedure. All editions of the work

issued after the death of the original author have been prepared by persons who either knew and worked with the original author or are connected to such persons in a direct continuity of professional association.

How To Make A Motion

Obtaining the floor

Wait until the last speaker has finished.

Rise and address the Chairman by saying, "Mr. Chairman, or Mr. President."

Wait until the Chairman recognizes you.

Make Your Motion

Speak in a clear and concise manner.

Always state a motion affirmatively. Say, "I move that we ..." rather than, "I move that we do not ...".

Avoid personalities and stay on your subject.

Wait for Someone to Second Your Motion

Another member will second your motion or the Chairman will call for a second.

If there is no second to your motion it is lost.

The Chairman States Your Motion

The Chairman will say, "it has been moved and seconded that we ..."

Thus placing your motion before the membership for consideration and action.

The membership then either debates your motion, or may move directly to a vote.

Once your motion is presented to the membership by the chairman it becomes "assembly property", and cannot be changed by you without the consent of the members.

Expanding on Your Motion

The time for you to speak in favor of your motion is at this point in time, rather than at the time you present it.

The mover is always allowed to speak first.

All comments and debate must be directed to the chairman.

Keep to the time limit for speaking that has been established.

The mover may speak again only after other speakers are finished, unless called upon by the Chairman.

Putting the Question to the Membership

The Chairman asks, "Are you ready to vote on the question?"

If there is no more discussion, a vote is taken.

On a motion to move the previous question may be adapted.

For more information check out this website: www.robertsrules.com

THE EDITIONS OF THIS MANUAL		
First Edition	February 1876	POCKET MANUAL OF RULES OF ORDER FOR DELIBERATIVE ASSEMBLIES (Cover short title: ROBERT'S RULES OF ORDER)
Second Edition	July 1876	
Third Edition	1893	
Fourth Edition	1915	ROBERT'S RULES OF ORDER REVISED
(Completely reworked and 75 percent enlarged by original author)		
Fifth Edition	1943	
Sixth Edition	1951	
("Seventy-Fifth Anniversary")		
Seventh Edition	1970	ROBERT'S RULES OF ORDER NEWLY REVISED
(Enlarged more than twofold and totally recast to be made self-explanatory)		
Eighth Edition	1981	
Ninth Edition	1990	
TENTH EDITION	2000	
("Millennium." Thoroughly re-edited to refine conceptual clarity and consistency of statement.)		
Inclusive of Robert's Rules of Order and Robert's Rules of Order Revised more than Five Million copies in print		

For Your Eyes Only (Classified Ads)

Wanted: A high quality revolver (six shooter) that fires 45 long colt ammo.

Wanted: Bullet lead

Wanted: Pistol primers, large Please Reply to Dick at (818) 884-7477 or e-mail to dlordahl@aol.com

Wanted: Brass and reloading components, ammo for .338 Win Mag + Dillon 550 press Toolheads and Powder Measures. Also looking to buy Pelican or SKB Cases in good condition. Please contact Paul at (661) 317-4445 or e-mail paulandtammy@verizon.net

For Sale: Bulk powder, Alliant 2400-\$25 lb, Hercules H-110-\$25 lb, must furnish container Please call Dale or e mail dplandan@rglobal.net, (661) 944-6417

For Sale: Barrett .416, 32 power Night Force Scope, 100 rounds factory loaded Barrett Ammunition, New Barrel (factory installed by Barrett), \$6,000. Contact Dave Fuller 310-510-2234

For Sale: Reloading components and bullet casting components, call with your wants and I will check my inventory and reply. Contact Butch at tuggar76@att.net, (661) 618-0009.

For Sale: New, Unused, Dillion #14404 Carbide Die Set in .45 ACP/GAP. Price: \$61.00 Call Verne at (661) 943-6981

For Sale: Target stands, 3 pack \$49.00 (about 50% of the internet prices). Designed to be vehicle friendly, Ipsc/idpa target ready, 1x2 s & targets sold separately. Custom sizes available starting at \$99 (3 pack). Email your order to Gary: pres.DMRPC@gmail.com

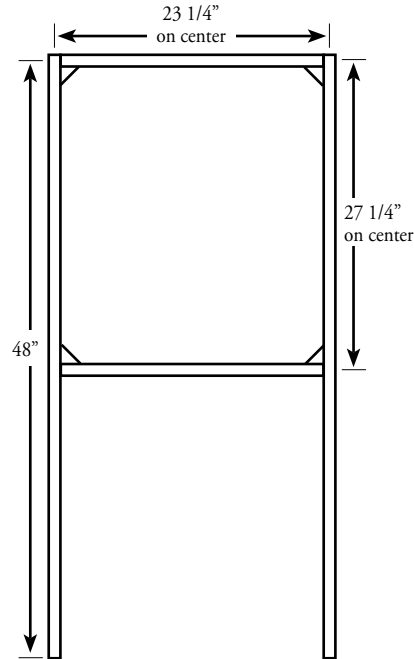


FOUND: Reading glasses, +1.25 large lens gold colored frames. Contact John Setzekorn, (661) 733-6957.

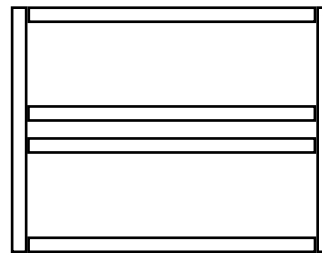
FOUND: Triplesearch.com, 45 ACP magazine. Electronic Hearing Protection. Contact Dale by email dplandan@rglobal.net, or (661) 944-6417.

To place information or ads in the newsletter contact Joe Pizzo by e-mail at joe.pizzo@earthlink.net or call (661) 644-6160

Build Your Own Target Stand



The following plans are for a target holder that will fit in most of the target bases at our range. All lumber is 2" x 2". The gusseting in the corners can be made from any piece of scrap wood. Staple heavy cardboard to the rectangular frame, then staple your target to the cardboard.



These are a base to support the target holder shown above. All lumber for the base is 2" x 4". It is critical the width match the target stand and hold the target stand tight. There is sometimes a little breeze at the range, so a couple sand bags are recommended.

California Rattlesnakes

The rattlesnake is our only native venomous snake. Six species are found in various areas of the state from below sea level to about 11,000 feet. Their size may vary, but adults can reach 6 feet in length. Rattlesnakes are an important part of the ecosystem, feeding on rodents, birds, and other small animals.

Rattlesnakes have a distinctive, triangular head shape, which is a key characteristic in their identification.

Nonpoisonous snakes in California do not have this obvious characteristic. A less reliable identifying feature is the rattle. Young rattlesnakes are born with a small rattle or button. A new segment is formed each time the skin is shed, which may occur several times each year. Some nonpoisonous snakes have coloration similar to that of rattlesnakes.

The largest and most common rattlesnake in our area is the western diamondback (*Crotalus*



atrox), found from sea level to 7,000 feet. It is probably the most dangerous rattlesnake in California because of its size and aggressive disposition. The sidewinder (*C. cerastes*) is the smallest rattlesnake and is so named because of its peculiar method of sideways locomotion. The sidewinder is sometimes called the horned rattler

because of the hornlike scales above its eyes. It is most commonly found in sandy desert

areas from below sea level to 6,000 feet. The Mojave rattlesnake (*C. scutulatus*) range includes the desert and foothills of southeastern California from sea level to high elevations. Speckled rattlesnakes (*C. mitchellii*) are found throughout Baja California and up the coast approximately to Los Angeles, overlapping with the Red Diamond rattlesnake (*C. ruber*) in most of this area. It also overlaps much of the sidewinder's range in the southeastern desert area.

Snake Bites

In the United States, about 800 rattlesnake bites are reported annually. While seldom fatal, bites are extremely painful and can lead to severe medical trauma. It is important to never handle rattlesnakes, not even dead ones.

Be careful when moving brush, wood, logs, or other debris. Since rattlesnakes are often well camouflaged and wait quietly for prey, they can be difficult to see. In the wild, rattlesnakes should be left alone as they present little potential hazard.

What to do for initial first aid?

A snakebite emergency plan should be developed before it is needed. If you are less than one hour from the nearest emergency room, initial treatment is relatively simple:

- Try to calm the victim.
- Gently wash the area with soap and water.
- Apply a cold, wet cloth over the bite.
- Transport victim to the nearest emergency facility for further treatment.

What should NOT be done after a rattlesnake bite?

- DON'T apply a tourniquet.
- DON'T pack the bite area in ice.
- DON'T cut the wound with a knife or razor.
- DON'T use your mouth to suck out the venom.
- DON'T let the victim drink alcohol.
- DON'T apply electric shock.

Continued on page 5



Continued from page 4

How to prevent a bite?

Hands, feet, and ankles are the most common sites for rattlesnake bites. Using some common sense rules can prevent most snakebites.

Baby rattlesnakes are poisonous, and do bite. Leave them alone.

Always stay on paths. Avoid tall grass, weeds, and heavy underbrush where snakes may be present.

Never handle freshly killed snakes. They may still bite.

Use a walking stick when hiking. If you come across a snake, it can strike the stick instead of you.

Always look before putting your hands anywhere. Snakes can climb walls, trees, and rocks.

Never grab what appear to be sticks or branches while swimming; rattlesnakes are excellent swimmers.

Never hike alone. Always have a buddy to help in case of an emergency. Learn basic life-saving skills.

Never tease a snake to see how far it can strike. You can be several feet from the snake and still be within striking distance.

Always look for concealed snakes before picking up rocks, sticks, or firewood.

Always check carefully around stumps or logs before sitting.

Teach children to respect snakes and to leave snakes alone. Curious children who pick up snakes are frequently bitten.

Never go barefoot or wear sandals when walking in the rough. Always wear hiking boots.

Always give snakes the right of way!

**Call: 1-800-222-1222
any time, any place
in California**

**California Poison
Control System
www.calpoison.org**

Match and Discipline Review

Not Every Discipline Shoots Every Month

Black Powder

First Sunday

Information to come.

Practical Pistol

Second Saturday

Information to come.

Small Bore Rifle

Second Sunday

Information to come.

Urban Tactical

Second Sunday

Information to come.

Defensive Pistol

Third Saturday

Information to come.

High Power Rifle

Third Saturday

The 2010 DMRPC High Power Rifle League schedule is as follows:

Saturday, July 17, 2010
300 yard practice

Saturday, August 21, 2010
600 yard practice

Saturday, September 18,
2010 Steak Fry Match

All matches begin at 0800.

Cowboy Action

Third Sunday

Information to come.

Tactical Rifle

Forth Saturday

Information to come.

Bullseye Pistol

Forth Sunday

The bullseye pistol match on May 23 went well with five shooters competing. Here's how the scores looked when the dust settled.

	Any Pistol	Centerfire	Aggregate
Carta, Jesus	795	654	1449
Christie, Ronald L.	675	608	1283
Clark, Dennis R.	822	785	1607
Conrad, James		749	749
Harville, John	463	334	797

There wasn't too much trash on the range to pick up so our pre-match work party lasted for only about an hour. We would really appreciate it if those of you who use the range would remove your targets when you are finished shooting. We'd also appreciate it if you would refrain from putting targets on the 25 yard berm. The top is already shot to pieces and will need to be replaced long before the fall work party. Please help us to maintain the range in useable condition.

Long Range Rifle

Fifth Sunday

Aug 28th night shoot & BBQ please contact Brad at Alpine767@hotmail.com for more info.

Are You Late? DMRPC Memberships Are Due!

The gate code changed July 1st, don't wait too long, we have a great place to shoot.

Desert Marksmen Rifle & Pistol Club, Inc. • 2009/2010 Application

Please Mail to: Desert Marksmen Rifle & Pistol Club, Inc. P0 Box 1124; Lancaster, CA. 93584-1124

Name _____ Signature _____ Date _____

Address _____ City _____

State _____ Zip Code _____ Phone _____

Date of Birth ____/____/____ State DL/ID _____ Email _____

I'm an NRA Member I'm an Life NRA Member NRA Number _____ Exp. _____

NRA Membership is Required: Desert Marksmen is an Official NRA Recruiter. If you wish to apply for NRA Membership or to Renew(NRA), you can do so through the Club.

Contributions, gifts or membership dues made or paid to Desert Marksmen Rifle & Pistol Club, Inc. are not refundable* or transferable and are not deductible as charitable contributions for Federal Income Tax purposes.

EQUAL OPPORTUNITY STATEMENT & MISSION: Desert Marksmen is most emphatically an "Equal Opportunity" Club, and our Members and Employees do not discriminate by Segregation, Refusing Membership, Curtailing Participation, or Otherwise against Members, Prospective Members, Family Members, Guests or Visitors on the basis of Race, Religion, Lack of Religion, Color, Creed, National Origin, Age, Disability, Sex, or Sexual Preference.

* NOTE: some exceptions have been made (example: refund or transfer to spouse of deceased member)

Initiation Fee (One Time Only) – \$40.	_____
Annual Dues (July 1st Thru June 30th) – \$60. per year	_____
Pro-Rated Dues (New Members Only) – \$ 5. per month	_____
Range Improvement Fee (Optional) – \$10.	_____
Please Enclose Check in Envelope.	Total \$ _____

Desert Marksman Rifle & Pistol Club Range Schedule July 2010 – September 2010

July 4, Sun.	Black Powder Main Range Open	Aug. 1, Sun.	Black Powder Main Range Open	Sept. 5, Sun.	Black Powder Main Range Open
July 10, Sat.	Practical Pistol Main Range Open	Aug. 14, Sat.	Practical Pistol Main Range Open	Sept. 11, Sat.	Practical Pistol Main Range Open
July 11, Sun.	Urban Pistol Main Range Open	Aug. 8, Sun.	Urban Pistol Main Range Open	Sept. 12, Sun.	Urban Pistol Main Range Open
July 17, Sat.	HPR Garand Match Main Range Closed	Aug. 15, Sun.	Cowboy Action Main Range Closed	Sept. 18, Sat.	HPR Garand Match Main Range Closed
July 17, Sat.	Defensive Pistol Main Range Open	Aug. 17, Tue.	General Member Meeting	Sept. 18, Sat.	Defensive Pistol Main Range Open
July 18, Sun.	Cowboy Action Main Range Closed	Aug. 21, Sat.	HPR Garand Match Main Range Closed	Sept. 19, Sun.	Cowboy Action Main Range Closed
July 20, Tue.	General Member Meeting	Aug. 21, Sat.	Defensive Pistol Main Range Open	Sept. 21, Tue.	General Member Meeting
July 24, Sat.	Tactical Rifle Main Range Closed	Aug. 22, Sun.	Bullseye Pistol Pistol House Closed	Sept. 25, Sat.	Tactical Rifle Main Range Closed
July 25, Sun.	Bullseye Pistol Pistol House Closed	Aug. 28, Sat.	Tactical Rifle Main Range Closed	Sept. 26, Sun.	Bullseye Pistol Pistol House Closed
		Aug. 28, Sat.	Long Range Rifle, Night Shoot All Ranges Closed		

To shoot on any range not in use during a scheduled match you MUST receive approval from the Discipline Leader. Discipline Leaders and Range Safety Officers must be obeyed at all times to avoid club sanctions.